

# CARSON®

## AdventurePak™

HU-401



Congratulations on selecting your new AdventurePak kit! In order to achieve optimum performance, please follow instructions for proper use and care.

### PRODUCT SPECIFICATION FOR HAWK BINOCULAR:

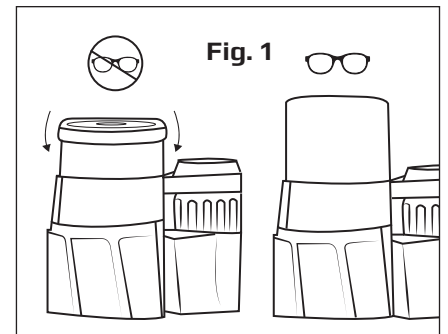
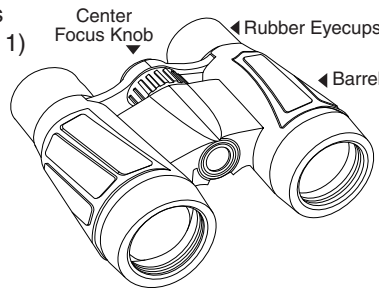
Objective Lenses:	30mm	Eye Relief:	11mm
Field of View:	312'	Weight:	4.9 oz
Min. Focusing Distance:	8.0'	Dimensions:	4.5" x 4.0" x 1.50"

### WARNING:

Do not view the sun with this binocular. Viewing the sun can cause permanent eye damage.

### USING THE HAWK BINOCULAR:

1. Bring the rubber eyecups close to your eyes.  
**Note:** If you wear eyeglasses, roll down eyecups to bring your eyes closer to the lenses. (See Fig. 1)
2. Rotate the barrels closer or further apart until you see a single image.
3. To focus, point and turn Center Focus Knob until image is clear.  
**Note:** You will need to adjust the focus knob as you view subjects at varying distances.

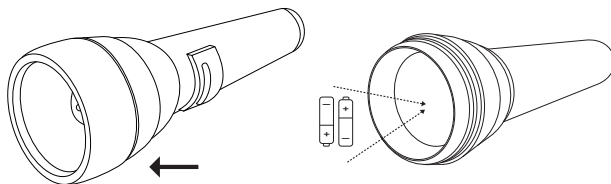


### CARE AND MAINTENANCE FOR THE HAWK BINOCULAR:

- Blow briskly on lenses to remove any dust or debris, or use a soft lens brush.
- To remove dirt or fingerprints, breathe on lenses to form a light mist and rub lightly in a circular motion with a microfiber cloth.
- For a more thorough cleaning, dampen a microfiber cloth and rub gently in a circular motion. Do not use alcohol or ammonia based cleaners. Exposure to chemicals can degrade lens coatings.
- Rubbing or cleaning with a coarse, dry cloth may scratch the lens and permanently deteriorate optical quality.
- Never attempt to clean binoculars internally or take them apart. This may cause the internal optical components to become misaligned.
- Do not immerse binoculars in any liquid or expose to prolonged dampness. Wipe off any accumulated moisture with a microfiber cloth.

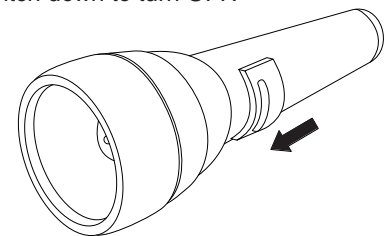
### INSTALLING BATTERIES IN FLASHLIGHT:

Twist top of flashlight in a counterclockwise motion. Insert 2 AA batteries into flashlight body with the correct polarity. Replace top of flashlight and tighten.



### TURNING FLASHLIGHT ON AND OFF:

Slide switch up to turn ON.  
Slide switch down to turn OFF.

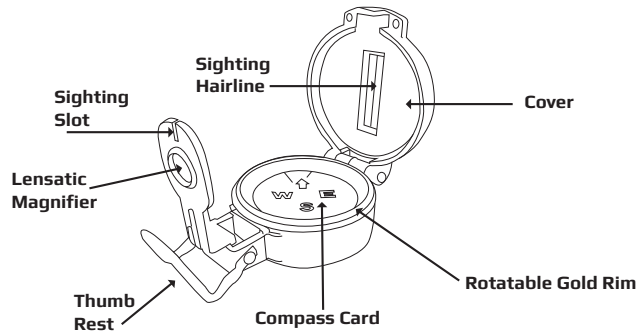


### BATTERY WARNING:

Use only alkaline batteries. Mixing old and new, different brands or types within brands may cause batteries to leak, overheat or explode. Keep away from fire or excessive heat. Inspect batteries for corrosion or leakage. Insert in direction indicated. Rechargeable batteries not recommended.

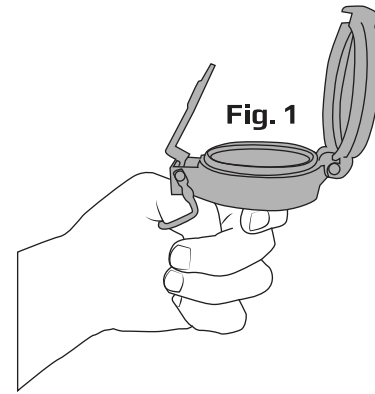
## LOCATOR COMPASS:

The locator is a self-contained pocket compass with a lensatic magnifier and sighting hairline to ensure accurate direction.



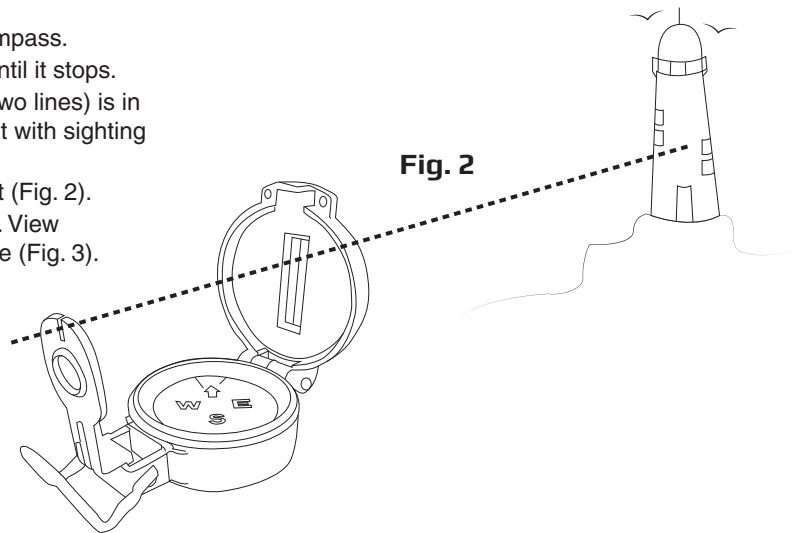
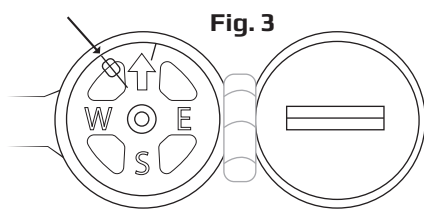
## USING THE COMPASS: BASIC USE

1. Open cover to a 90-degree angle.
2. Thumb rest should be extended fully downward until it stops.
3. Hold compass with thumb and pointer (Fig. 1) and compass will show you the direction you are facing (North, South, East, West).



## USING THE COMPASS: POSITION IN DEGREES

1. Open cover to a 90-degree angle.
2. Position sighting slot to best angle for reading compass.
3. Thumb rest should be extended fully downward until it stops.
4. Turn gold rim until the longer gold line (longer of two lines) is in the uppermost North position, in perfect alignment with sighting slot and sighting hairline.
5. Align sighting slot and sighting hairline with object (Fig. 2).
6. View compass reading through lensatic magnifier. View degrees through small spot lens at longer gold line (Fig. 3).

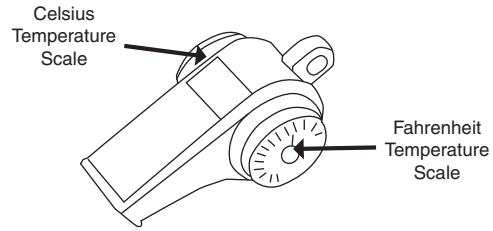


## CARE AND MAINTENANCE FOR THE LOCATOR:

Locator requires little care. Wipe off any accumulated moisture or dust with a soft cloth. Avoid dropping which can dislodge compass card and cause inaccurate readings. Do not immerse in liquid or subject to heavy sprays or prolonged dampness.

## SIGNAL WHISTLE:

The Signal Whistle comes with two built-in temperature scales. One measures the temperature in Celsius. The other measures the temperature in Fahrenheit.



**Customer Service:** If you experience any difficulties, please contact us and we will be happy to help you.

For warranty information, visit [www.carson.com/warranty](http://www.carson.com/warranty)



✉ [info@carson.com](mailto:info@carson.com)



✉ [uksupport@carson.com](mailto:uksupport@carson.com)



✉ [eusupport@carson.com](mailto:eusupport@carson.com)

**[www.carson.com](http://www.carson.com)**

Carson Optical 2070 5th Avenue, Ronkonkoma, NY 11779 | Tel: 631-963-5000