

LEVENHUK LX700/LX1000/LX1500 HUNTING LASER RANGEFINDER

EN User Manual

BG Ръководство за потребителя

CZ Návod k použití

DE Bedienungsanleitung

ES Guía del usuario

HU Használati útmutató

IT Guida all'utilizzo

PL Instrukcja obsługi

PT Manual do usuário

RU Инструкция по эксплуатации

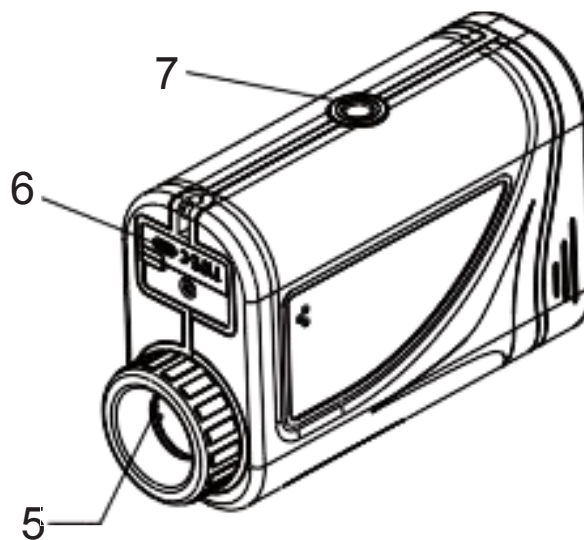
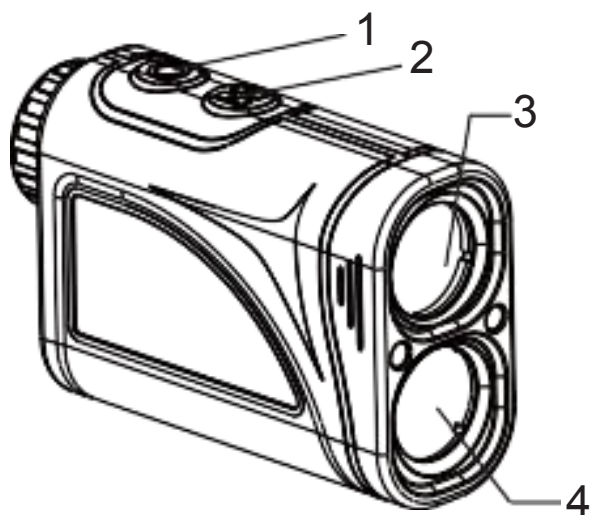
TR Kullanım kılavuzu



www.levenhuk.com

Levenhuk Inc. (USA): 928 E 124th Ave. Ste D, Tampa, FL 33612,
USA, +1-813-468-3001, contact_us@levenhuk.com
Levenhuk Optics s.r.o. (Europe): V Chotejně 700/7, 102 00 Prague 102,
Czech Republic, +420 737-004-919, sales-info@levenhuk.cz
Levenhuk® is a registered trademark of Levenhuk, Inc.
© 2006–2024 Levenhuk, Inc. All rights reserved.
20240213

levenhuk[®]
Zoom&Joy



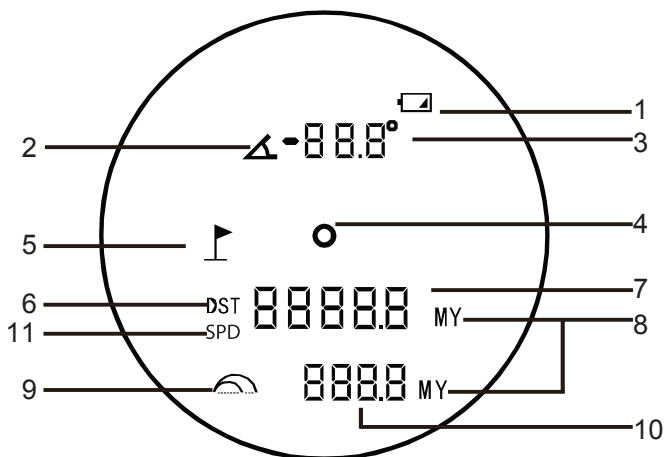
	EN	BG	CZ	DE	ES	HU
1	POWER/MEASURE button	Бутон ЗАХРАНВАНЕ/ ИЗМЕРВАНЕ	Tlačítko NAPÁJENÍ/ MĚŘENÍ	EIN/AUS/MESSEN-Taste	Botón ENCENDER / MEDIR	FŐKAPCSOLÓ/ MÉRÉS gomb
2	MODE button	Бутон MODE (Режим)	Tlačítko MODE (Režim)	MODE-Taste (Modus)	Botón MODE (Modo)	MODE (Mód) gomb
3	Laser output/ objective lens	Изход на лазера/ леща на обектива	Výstup laserového paprsku/čočka objektivu	Laserausgang/ Objektivlinse	Salida de láser/lente objetivo	Lézer kimenő/ objektív lencsék
4	Laser receiving lens	Леща за приемане на лазерния лъч	Přijímací čočka laserového paprsku	Laser-Empfängerlinse	Lente receptora de láser	Lézer-fogadó lencsék
5	Focusing ring	Пръстен за фокусиране	Zaostřovací kolečko	Fokussierrad	Rueda de enfoque	Fókuszállító kerék
6	Type-C USB port	USB порт Type-C	Port Type-C USB	USB-Anschluss Typ C	Puerto USB de tipo C	C típusú (Type-C) USB-port
7	1/4" thread	Резба 1/4"	Závít 1/4"	1/4 Zoll-Gewinde	Rosca de 1/4"	1/4"-es menet

	IT	PL	PT	RU	TR
1	Pulsante ON/OFF/ MISURA	Przycisk ZASILANIE/ POMIAR	Botão LIGAR/MEDIR	Кнопка ВКЛЮЧЕНИЯ/ ИЗМЕРЕНИЯ	GÜÇ/ÖLÇÜM düğmesi
2	Pulsante MODE (Modalità)	Przycisk MODE (Tryb)	Botão MODE (Modo)	Кнопка MODE (Режим)	MODE (Mod) düğmesi
3	Uscita laser/lente obiettivo	Soczewka obiektywowa/ wysyłająca wiązkę lasera	Lente de saída/ objetiva laser	Лазерный передатчик/ объектив	Lazer çıkış/objektif merceği
4	Lente con ricevitore laser	Soczewka odbierająca wiązkę lasera	Lente de receção laser	Лазерный приемник/объектив	Lazer alıcı mercek
5	Rotella della messa a fuoco	Pokrętło do ustawiania ostrości	Roda de focagem	Колесо фокусировки	Odaklama tekeri
6	Porta USB Tipo-C	Gniazdo USB typu C	Porta USB tipo C	Порт USB Type-C	Type-C USB bağlantı noktası
7	Filettatura 1/4"	Gwint 1/4"	Rosca de 1/4"	Резьбовое крепление к штативу, 1/4"	1/4" dişli

EN Levenhuk LX700/LX1000/LX1500 Hunting Laser Rangefinder

Please carefully read the safety instructions and the user manual before using this product, otherwise it may result in hazardous laser radiation and electric shock. Use the device only as specified in the user manual. Keep away from children.

LCD Display



1. Low battery indicator
2. Angle icon
3. Current angle value
4. Center of the target (bullseye)
5. Flagpole lock mode
6. Distance measurement mode
7. Straight line distance
8. Units of measurement
9. Trajectory adjustment icon
10. Trajectory adjustment value
11. Speed icon

Getting started

- **Charging the device.** Connect the power cable to the device and the DC adapter via a USB plug and connect it to the AC power supply. Charging voltage and current: 5V, 1A.
- Press the POWER/MEASURE button to turn the device on or off. The rangefinder enters the distance measurement mode by default (Fig. 1).

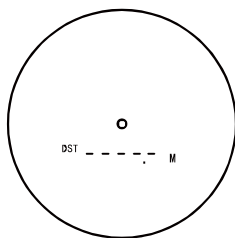


Figure 1

- Rotate the focusing ring until the view is in focus.
- Press and hold the MODE button to change the measurement units. Quickly press this button to choose between the modes. There are 5 modes available: 1) distance measurement mode, 2) slope mode, 3) horizontal distance mode, 4) height distance mode, and 5) speed mode.

Using

Distance measurement mode

In the distance measurement mode, aim the device at your intended target and press the POWER/MEASURE button. The distance value will be displayed (Fig. 2).

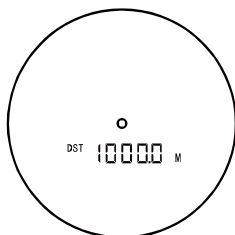


Figure 2

Press and hold the POWER/MEASURE button for continuous measurement.

Note: The maximum measurement range is affected by weather conditions as well as the dimensions and reflectivity of the target object.

Slope mode/Flagpole lock mode

The device will measure the angle of incline/decline, then calculate and display the slope-adjusted distance. In the slope mode, press the POWER/MEASURE button. The angle, distance value, and trajectory correction will be displayed (Fig. 3a, 3b).

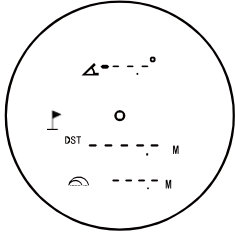


Figure 3a

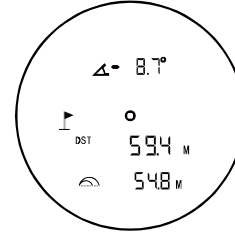


Figure 3b

Flagpole lock. In the slope mode, press and hold the POWER/MEASURE button, then move the device slightly left and right until the distance to the flagpole is locked and displayed on the LCD (Fig. 4). After locking a flagpole, the device will vibrate.

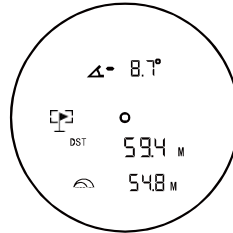


Figure 4

Horizontal distance mode

In horizontal distance mode, you can measure the horizontal distance between two points. You can use single measurement or continuous measurement (Fig. 5).

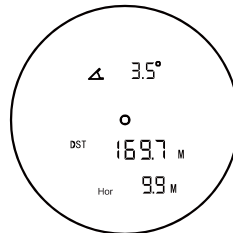


Figure 5

Height distance mode

In height distance mode, you can measure the vertical distance between two points. You can use single measurement or continuous measurement (Fig. 6).

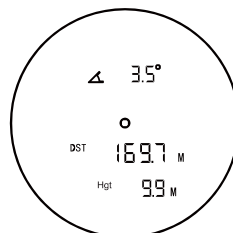


Figure 6

Speed mode

In speed measurement mode, point the reticle at a moving target, and then press the POWER/MEASURE button. Do not let the moving object out of your field of view in order to display the indication (Fig. 7).

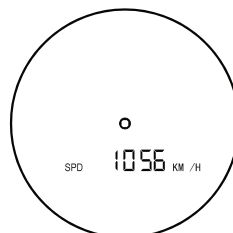


Figure 7

Specifications

	LX700	LX1000	LX1500
Measuring range, m	5–700	5–1000	5–1500
Units of measurement		m, y	
Laser class		class I, 905nm, <1mW	
Magnification, x		6	
Objective lens diameter (aperture), mm		25	
Operating temperature range		–10...+40°C (14... 104°F)	
Power supply		750mA·h built-in li-ion battery; Charging voltage and current: 5V, 1A	

The manufacturer reserves the right to make changes to the product range and specifications without prior notice.

Care and maintenance

Please carefully read the safety instructions and user manual before using this product. Otherwise, it may result in hazardous laser radiation and electric shock. Keep away from children.

This is a class I laser product. Please DO NOT look directly into the beam with unprotected eyes or through an optical device at any time and never direct it toward other people. Do not remove any safety labels. Do not aim the device directly at the sun. Do not try to disassemble the device on your own for any reason. For repairs and cleaning of any kind, please contact your local specialized service center. Protect the device from sudden impact and excessive mechanical force. Do not use the product in explosive environment or close to flammable materials. Store the device in a dry cool place. Only use accessories and spare parts for this device that comply with the technical specifications. Never attempt to operate a damaged device or a device with damaged electrical parts! If a part of the device or battery is swallowed, seek medical attention immediately.

Battery safety instructions

Always purchase the correct size and grade of battery most suitable for the intended use. Always replace the whole set of batteries at one time; taking care not to mix old and new ones, or batteries of different types. Clean the battery contacts and also those of the device prior to battery installation. Make sure the batteries are installed correctly with regard to polarity (+ and –). Remove batteries from equipment that is not to be used for an extended period of time. Remove used batteries promptly. Never short-circuit batteries as this may lead to high temperatures, leakage, or explosion. Never heat batteries in order to revive them. Do not disassemble batteries. Remember to switch off devices after use. Keep batteries out of the reach of children, to avoid risk of ingestion, suffocation, or poisoning. Utilize used batteries as prescribed by your country's laws.

Levenhuk International Lifetime Warranty

All Levenhuk telescopes, microscopes, binoculars, and other optical products, except for their accessories, carry a **lifetime warranty** against defects in materials and workmanship. A lifetime warranty is a guarantee on the lifetime of the product on the market. All Levenhuk accessories are warranted to be free of defects in materials and workmanship for **six months** from the purchase date. The warranty entitles you to the free repair or replacement of the Levenhuk product in any country where a Levenhuk office is located if all the warranty conditions are met.

For further details, please visit: www.levenhuk.com/warranty

If warranty problems arise, or if you need assistance in using your product, contact the local Levenhuk branch.